

**brother**<sup>®</sup>

**LASER PRINTER**

**PARTS REFERENCE LIST**

**MODEL:HL-760**

**MECHANISMS & ELECTRONICS**

## NOTE FOR USING THIS PARTS REFERENCE LIST

1. In the case of ordering parts, it needs mentioning the following items:

- (1) Code
- (2) Q'ty
- (3) Description
- (4) Symbol ( PCB No., Revision , and Parts location mounted on the PCB.)

Note : No orders without Parts Code or Tool No. can be accepted.

< Example >

REF.NO.	SYMBOL	CODE	Q'TY	DESCRIPTION	REMARKS

Revision No. : marked on the printed circuit board.

B48K056 - 201A



2. Design-changed parts:

If the parts are changed, any one of the following symbols is indicated in the REMARKS column.

- #A : compatible between old and new
- #B : replaceable from old to new
- #D : incompatible
- # : newly established

3. The original of this list was made based on the information available in July, 1996.

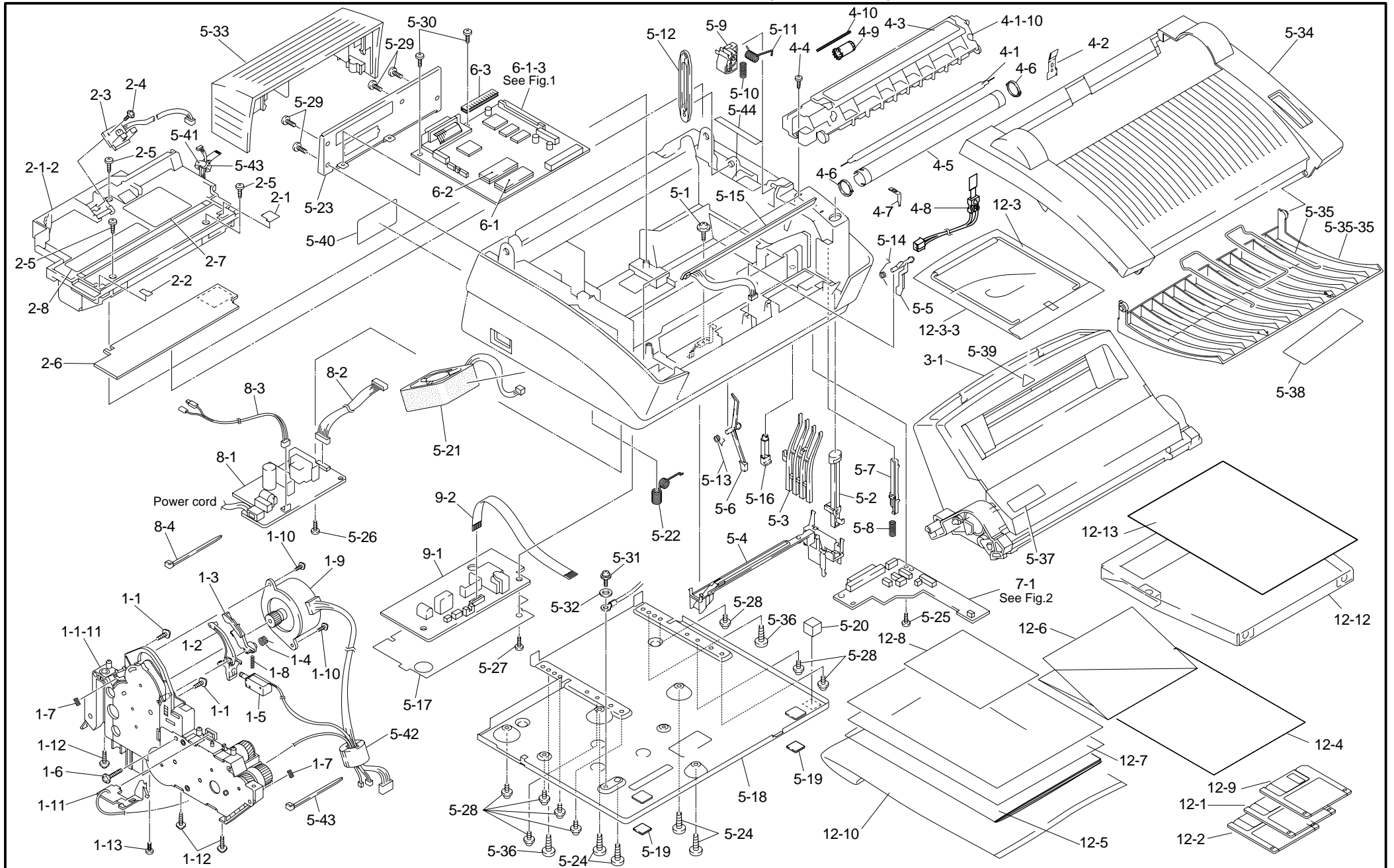
4. Parts are subject to change in design without prior notice.

# CONTENTS


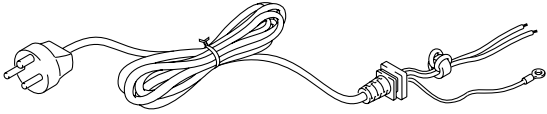
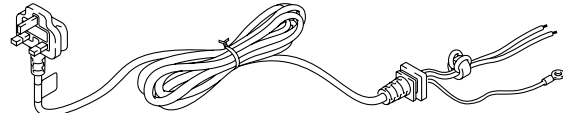
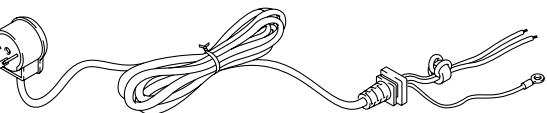
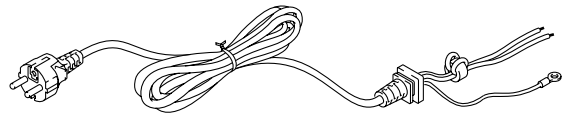
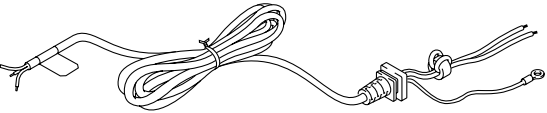

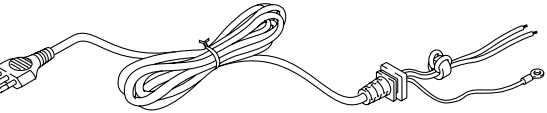
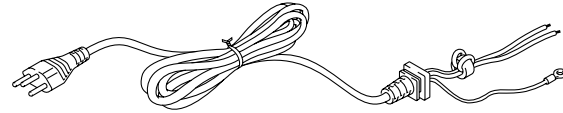

PCB SILK-SCREEN PRINTING DRAWING .....	1
GENERAL DRAWING .....	2
POWER CORDS & PACKING DRAWING .....	3
1. FRAME / DRIVE .....	4
2. SCANNER .....	4
3. PAPER TRAY .....	5
4. FIXING UNIT .....	5
5. CABINET .....	6
6. MAIN PCB .....	7
7. PANEL / SENSOR PCB .....	7
8. LOW-VOLTAGE POWER SUPPLY UNIT .....	8
9. HIGH-VOLTAGE POWER SUPPLY UNIT .....	8
10. POWER CORDS .....	9
11. PACKING .....	9
12. DOCUMENTS .....	10
13. ADJUSTING TOOL KIT .....	11

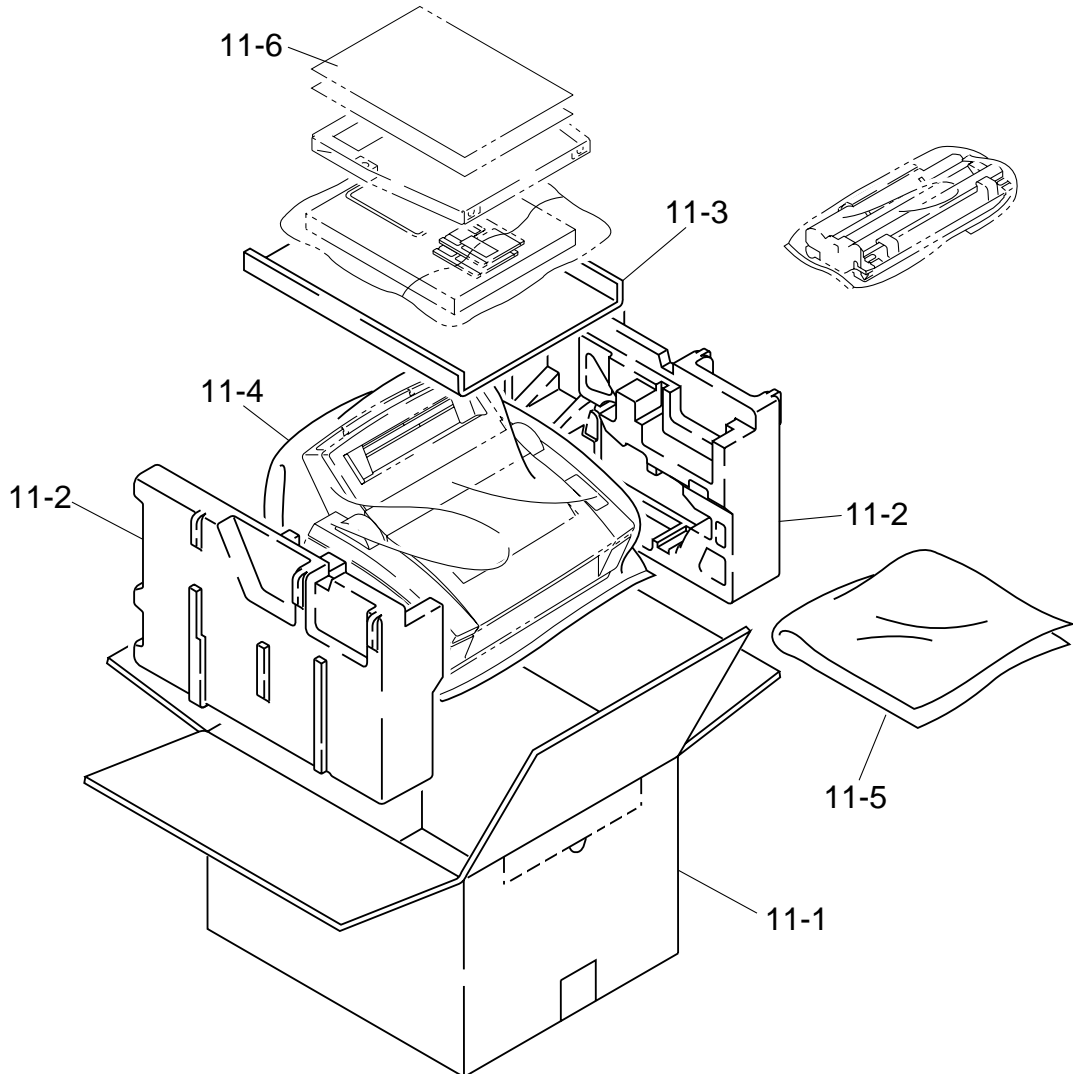


GENERAL DRAWING



POWER CORDS & PACKING DRAWING

10-			
1A		1F	
1B		1G	
1C		1H	
1D		1I	
1E		1J	



MODEL HL-760 84U-701-230/930

1. FRAME / DRIVE

REF.NO.	SYMBOL	CODE	Q'TY	DESCRIPTION	REMARK
1-11		UL6997001	1	DRIVE UNIT (SP)	
1		087411615	2	TAPTITE, CUP B M4X16	
2		UL6573000	1	PAPER PICK-UP SOLENOID LEVER	
3		UL6574000	1	CLUTCH RELEASE LEVER	
4		UL6575001	1	SOLENOID LEVER RETURN SPRING	
5		UL6576001	1	PAPER PICK-UP SOLENOID ASSY	
6		087322015	1	TAPTITE, CUP S M3X20	
7		UL6577001	2	CLUTCH GEAR SPRING	
8		UL6579001	1	CLUTCH HOLDER SPRING	
9		UL6578001	1	MAIN MOTOR ASSY	
10		087320616	2	TAPTITE, CUP S M3X6	
11	B48K230-3	UK3125001	1	DRUM GROUND PCB ASSY	
12		087412016	3	TAPTITE, CUP B M4X20	
13		085411215	1	TAPTITE, BIND B M4X12	

MODEL HL-760 84U-701-010

2. SCANNER

REF.NO.	SYMBOL	CODE	Q'TY	DESCRIPTION	REMARK
1-2		UL6875001	1	SCANNER UNIT (SP)	
1		UL6614001	1	S SHEET 1	
2		UL6615001	1	S SHEET 2	
3	B48K231-5	UK3073001	1	TONER SENSOR PCB ASSY	
4		087310815	1	TAPTITE, CUP B M3X8	
5		085411215	3	TAPTITE, BIND B M4X12	
6		UL6611001	1	S SEAL SPONGE 1	
7		UL6740001	1	LASER CAUTION LABEL, EUR	
7		UL7931001	1	LASER CAUTION LABEL, LEGEND	
8		UL6741001	1	CAUTION LABEL, TONER	

MODEL HL-760 84U-701-020

3. PAPER TRAY

REF.NO.	CODE	Q'TY	DESCRIPTION	REMARK
1	UL6876001	1	MP TRAY ASSY, GRAY1227	

MODEL HL-760 84U-701-040

4. FIXING UNIT

REF.NO.	CODE	Q'TY	DESCRIPTION	REMARK
1-10	UL6877001	1	FIXING UNIT, 120V (SP)	
1-10	UL6878001	1	FIXING UNIT, 240V (SP)	
1-10	UU7442001	1	FIXING UNIT, 240V PFA (SP)	
1-10	UL7934001	1	FIXING UNIT, 240V LEGEND (SP)	
1	UL6879001	1	FU LAMP, 120V (SP)	
1	UL6880001	1	FU LAMP, 240V (SP)	
2	UL6616001	1	CLEANER ASSY	
3	UL6688001	1	CAUTION LABEL	
3	UL7928001	1	CAUTION LABEL, LEGEND	
4	085411215	1	TAPTITE, BIND B M4X12	
5	UL0984001	1	HEAT ROLLER ASSY (SP)	
5	UL8495001	1	HEAT ROLLER ASSY, PFA (SP)	
6	UL6673001	1	H/R BEARING	
7	UL6677000	1	ELECTRODE PLATE	
8	UL6667001	1	THERMISTOR ASSY	
9	UL6681001	4	EJECT PINCH ROLLER ASSY	
10	UL6682001	4	PINCH SPRING	

MODEL HL-760 84U-701-050/051/053

TI NO. 96-P056 / 97-P072 / PR97028 / PR97032 / PR98271 / PR98292 / PR99118



5. CABINET

REF.NO.	SYMBOL	CODE	Q'TY	DESCRIPTION	REMARK
1		087310815	6	TAPTITE, CUP B M3X8	
2		UL6714001	1	SW KEY, GRAY1227	
3		UL6715001	1	PANEL LIGT GUIDE	
4		UL6716001	1	DUCT LID, GRAY1227	
5		UL6936001	1	PAPER EJECT ACTUATOR ASSY, BLACK	
6		UL6935001	1	REGIST SENSOR ACTUATOR ASSY, BLACK	
7		UL6719000	1	INTERLOCK LEVER	
8		UL6720001	1	SPRING, COMPRESSION	
9		UL6721000	1	LOCK LEVER	
10		UL6722001	1	SPRING, COMPRESSION	
11		UL6723001	1	PR LOCK SPRING	
12		UL6729000	1	TOP COVER LINK	
13		UL6930001	1	SPRING, TORSION	
14		UL6931001	1	SPRING, TORSION EX	
15	B48K228-2	UL6887001	1	EL PCB UNIT	
16		UL6853001	1	DENSITY DIAL, GRAY1252	
17		UL6725000	1	INSULATION SHEET	
18		UL7552001	1	BASE PLATE YL3	
19		UL5600001	2	RUBBER FOOT	
20		UL6864001	1	PCB SUPPORT	
21		UL6934001	1	FAN MOTOR ASSY	
22		UL6973000	1	DRUM GROUND SPRING	
23		UL7554001	1	I/F SHIELD ASSY YL3	
24		085411215	4	TAPTITE, BIND B M4X12	
25		085411215	1	TAPTITE, BIND B M4X12	
26		085411215	1	TAPTITE, BIND B M4X12	
27		085411215	1	TAPTITE, BIND B M4X12	
28		087320616	8	TAPTITE, CUP S M3X6	
29		002400616	4	SCREW, PAN M4X6	
30		087320616	2	TAPTITE, CUP S M3X6	
31		UL6915001	1	SCREW, PAN (WASHER) M4X6	
32		025040235	1	WASHER, PLAIN M 4	
33		UL7556001	1	SUB COVER, GRAY1227	
34		UL6703001	1	TOP COVER, GRAY1227	
35-35		UL6735001	1	PAPER EJECT TRAY ASSY, GRAY1227	
35		UL6736001	1	PAPER EJECT TRAY EXTENSION	
36		085411215	2	TAPTITE, BIND B M4X12	
37		UL7909001	1	MODEL PLATE, 760+ USA/CAN	
37		UL6972001	1	MODEL PLATE, 760 EUR	
37		UL7910001	1	MODEL PLATE, 760DX+, USA/CAN	
37		UL7779001	1	MODEL PLATE, LJ6P+, LEGEND	
38		UL7911001	1	MYLAR LABEL, 760+, USA	
38		UL7912001	1	MYLAR LABEL, 760+, CAN	
39		UL5738001	1	PAPER SET LABEL, USA/CAN	
40		UH0905001	1	PATENT LABEL, USA/CSA	
41		UG3005000	1	FERRITE CORE:16X8X10	
42		UK3617000	1	CORE:TFC-16813	
43		J02101051	2	BINDER 2.3X79	
44		UL7940001	1	GUIDE FILM	

MODEL HL-760 84U-701-060

6. MAIN PCB

REF.NO.	SYMBOL	CODE	Q'TY	DESCRIPTION	REMARK
1-3	B48K272-210F	UK3605001	1	MAIN PCB ASSY (SP)	
1	#3	UK3696001	1	MASK ROM:23C16000-HI	
2	#4	UK3697001	1	MASK ROM:23C16000-LO	
3		UL7808001	1	EDGE GUARD	

MODEL HL-760 84U-701-103

TI NO.96-P059 / 96-P061 / 96-P071 / 97-P008 / 97-P010 / 97-P037 / PR97162

7. PANEL / SENSOR PCB

REF.NO.	SYMBOL	CODE	Q'TY	DESCRIPTION	REMARK
1	B48K225-500C	UK3189001	1	PANEL/SENSOR PCB ASSY (SP)	

MODEL HL-760 84U-701-151

8. LOW-VOLTAGE POWER SUPPLY UNIT

REF.NO.	SYMBOL	CODE	Q'TY	DESCRIPTION	REMARK
1	REV.B	UK3118001	1	PS PCB ASSY, 115V (SP)	
1	REV.C	UK3119001	1	PS PCB ASSY, 230V (SP)	
2		UK3061001	1	LV HARNESS ASSY	
3		UK3062001	1	HEATER HARNESS ASSY	
4		J02101051	1	BINDER 2.3X79	

MODEL HL-760 84U-701-202/203

TI NO.96-P064 / 97-P001 / PR99044

9. HIGH-VOLTAGE POWER SUPPLY UNIT

REF.NO.	SYMBOL	CODE	Q'TY	DESCRIPTION	REMARK
1		UK3192001	1	HIGH-VOLTAGE PS PCB ASSY (SP)	
2		UK3059000	1	HV FLAT CABLE 12	

MODEL HL-760 84U-701-220

## 10. POWER CORDS

REF.NO.	CODE	Q'TY	DESCRIPTION	REMARK
1A	UK3135001	1	AC CORD ASSY, USA	
1B	UK3138001	1	AC CORD ASSY, UK	
1C	UK3141001	1	AC CORD ASSY, EUR	
1D	UK3144001	1	AC CORD ASSY, SAA	
1E	UK3147001	1	AC CORD ASSY, SEV	
1F	UK3971001	1	AC CORD ASSY, DEMKO	
1G	UK3151001	1	AC CORD ASSY, HEB	
1H	UK3152001	1	AC CORD ASSY, S.AF	
1I	UK3217001	1	AC CORD ASSY, CHLI	
1J	UK3831001	1	AC CORD ASSY, CHN	

MODEL HL-760 84U-701-230

TI NO. 97-P046 / PR97146 / PR98037

## 11. PACKING

REF.NO.	CODE	Q'TY	DESCRIPTION	REMARK
1	UE2213001	1	CARTON, USA/CAN HL-760+	
1	UE2144001	1	CARTON, EUR HL-760	
1	UE2214001	1	CARTON, USA/CAN HL-760DX+	
1	UE2187001	1	CARTON, LJ6P+ LEGEND	
2	UE2145000	1	STYROFORM PAD ASSY, HL-YL3	
3	UE2180000	1	CARTON, SF ASSY YL3	
4	UE2126001	1	BAG, 700X800H (BODY)	
5	UE2108001	1	SHEET, 200X300 (BODY)	
6	UH3373001	1	NO RETURN FORM, US	
6	UH3295001	1	RETURN FORM, CANADA	

MODEL HL-760 84U-701-930

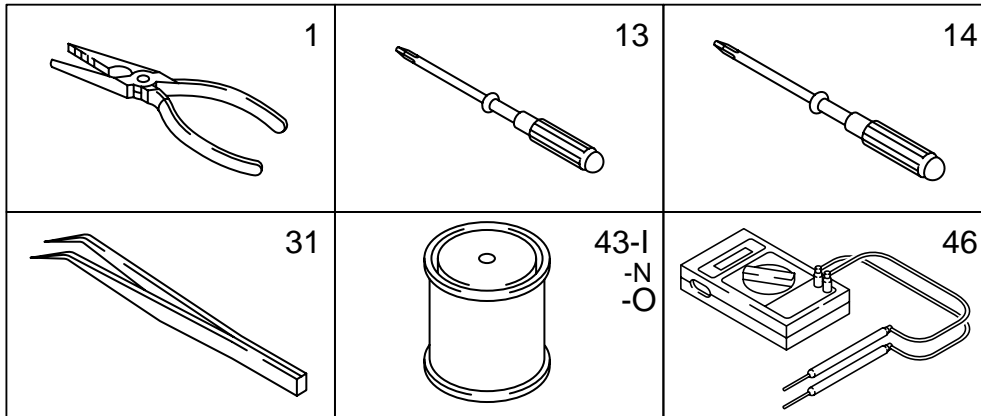
TI NO.96-P051 / 96-P075 / 97-P026 / 97-P044 / 97-P046 / PR97158 / PR98032 / PR98036

## 12. DOCUMENTS

REF.NO.	CODE	Q'TY	DESCRIPTION	REMARK
1	UK3716001	1	PRINTER DRIVER ASSY 1, HL-760	
1	UK3657001	1	PRINTER DRIVER ASSY 1, LJ6P+ LEGEND	
2	UK3718001	1	PRINTER DRIVER ASSY 2, HL-760	
2	UK3659001	1	PRINTER DRIVER ASSY 2, LJ6P+ LEGEND	
9	UK3676001	1	PRINTER DRIVER ASSY 3, HL-760+	
9	UK3714001	1	PRINTER DRIVER ASSY 4, NT 4.0 CANADA	
3-3	UE2188001	1	TRAY EXTENSION BAG ASSY	
3	UL7158001	1	TE TUBE	
4	UL7487001	1	SET GUIDE 2, USA	
4	UL7488001	1	SET GUIDE 2, FRA	
4	UL7489001	1	SET GUIDE 2, GER	
4	UL7490001	1	SET GUIDE 2, NOR	
4	UL7491001	1	SET GUIDE 2, NLD	
4	UL7494001	1	SET GUIDE 2, DEN	
4	UL7492001	1	SET GUIDE 2, ITA	
4	UL7493001	1	SET GUIDE 2, SWE	
5	UL6975001	1	USER'S MANUAL 2, USA HL-760	
5	UL6981001	1	USER'S MANUAL 2, FRA HL-760	
5	UL6978001	1	USER'S MANUAL 2, GER HL-760	
5	UL6987001	1	USER'S MANUAL 2, NOR HL-760	
5	UL6984001	1	USER'S MANUAL 2, NLD HL-760	
5	UL7577001	1	USER'S MANUAL 2, DEN HL-760	
5	UL6992001	1	USER'S MANUAL 2, ITA HL-760	
5	UL6989001	1	USER'S MANUAL 2, SWE HL-760	
6	UL6859001	1	WARRANTY CARD, USA	
6	UH2693001	1	WARRANTY CARD, CAN	
6	UL7581001	1	WARRANTY CARD, FRA2	
6	237703001	1	WARRANTY CARD, DUTCH	
6	UL7484001	1	WARRANTY CARD, CAN2	
7	UL7426001	1	SC INSERTION SHEET, USA	
8	UL6976001	1	ACCESSORY ORDER FORM, HL-760	
8	UL3294001	1	ACCESSORY ORDER FORM, CANADA	
10	UE2014001	1	BAG, 215X350H (DOCUMENTS)	
12	UL6955001	1	DUST COVER	
13	UL6996001	1	INSERTIN DC	

MODEL HL-760 84U-701-920

13 . ADJUSTING TOOL KIT



TOOL NO.	TOOL NAME
ZX-1	PLIERS (150MM)
ZX-13	SCREWDRIVER, PHILLIPS (NO-1)
ZX-14	SCREWDRIVER, PHILLIPS (NO-2)
ZX-31	TWEEZERS (150MM)
ZX-43I	LUBRICATING GREASE (FLOIL GE-676)
ZX-43N	LUBRICATING GREASE(MOLYKOTE EM-30L)1KG
ZX-43O	LUBRICATING GREASE(MOLYKOTE EM-D110)1KG
ZX-46	TESTER (MD-200C)